

Installation instructions for PZ4AL-03009-00, PZ4AL-03010-00
Under Run Protective Shield Engine Bay and Transmission Case

TOYOTA C-HR



LEXUS UX



Model year:

C-HR - 2018

UX - 2018

Applicability:

NGX10L-AHFDXX
NGX50L-AHXEXX
ZGX10L-AHXGPX

MZAA10L-AWXBBW
MZA15L-AWXBBW

Part Number:

Steel: PZ4AL-03009-00
Aluminium: PZ4AL-03010-00
Installation kit: PZ4AL-03009-60



Weight:

Steel: 9,78 kg
Aluminium: 7,08 kg

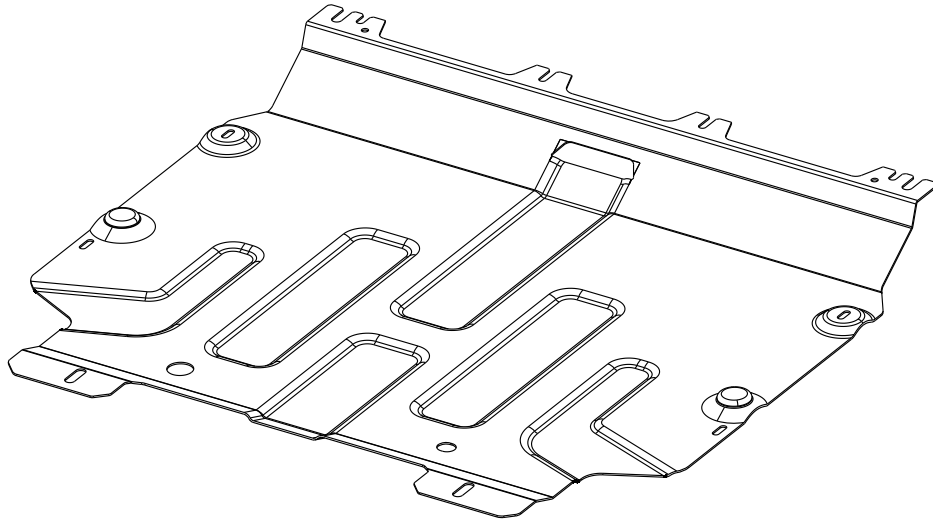


Installation Time:

30 min

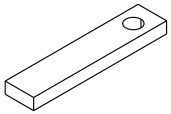
Rev.3 29.08.2018

A



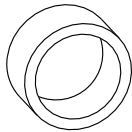
PZ4AL-03009-60

B



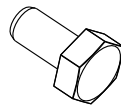
4x

C



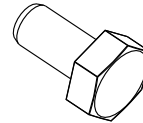
h=10 2x

D1



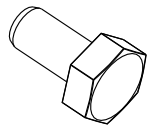
M6x30 4x

D2



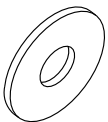
M8x20 2x

D3



M8x30 2x

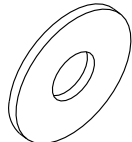
E1



d=6

4x

E2



d=8

4x

F1



d=6

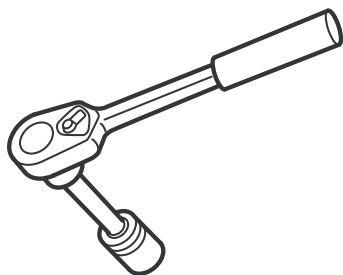
4x

F2



d=8

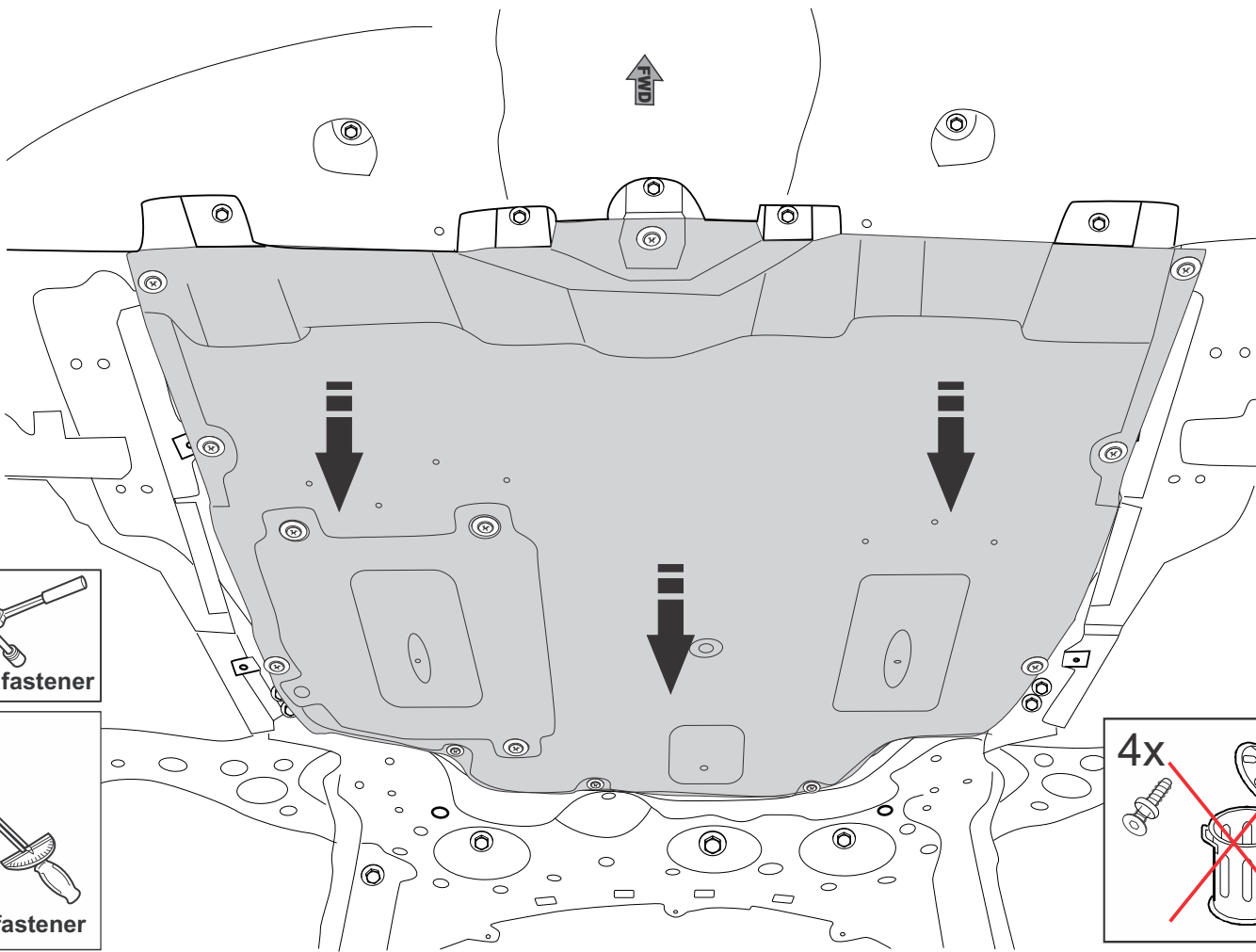
4x



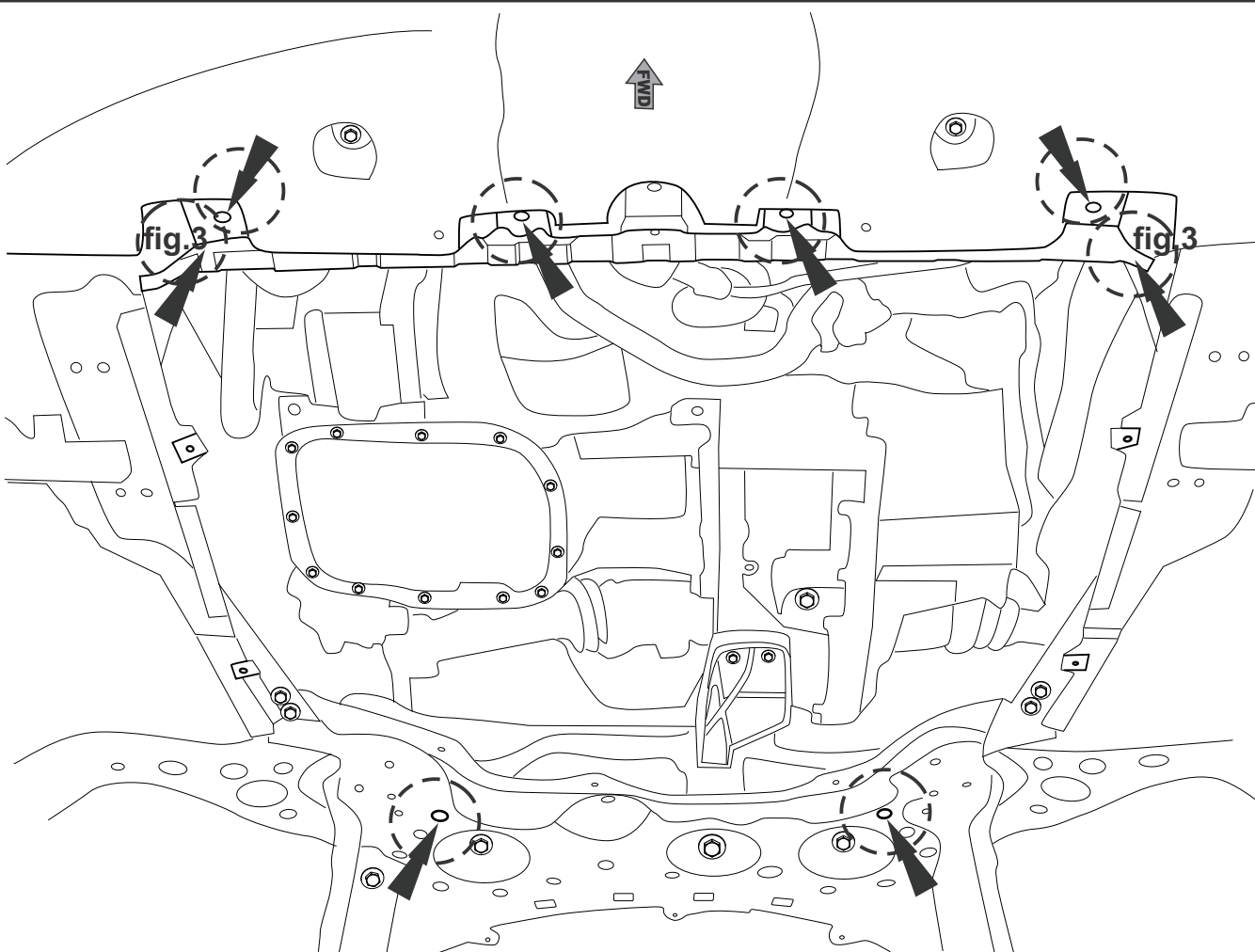
10 mm
13 mm



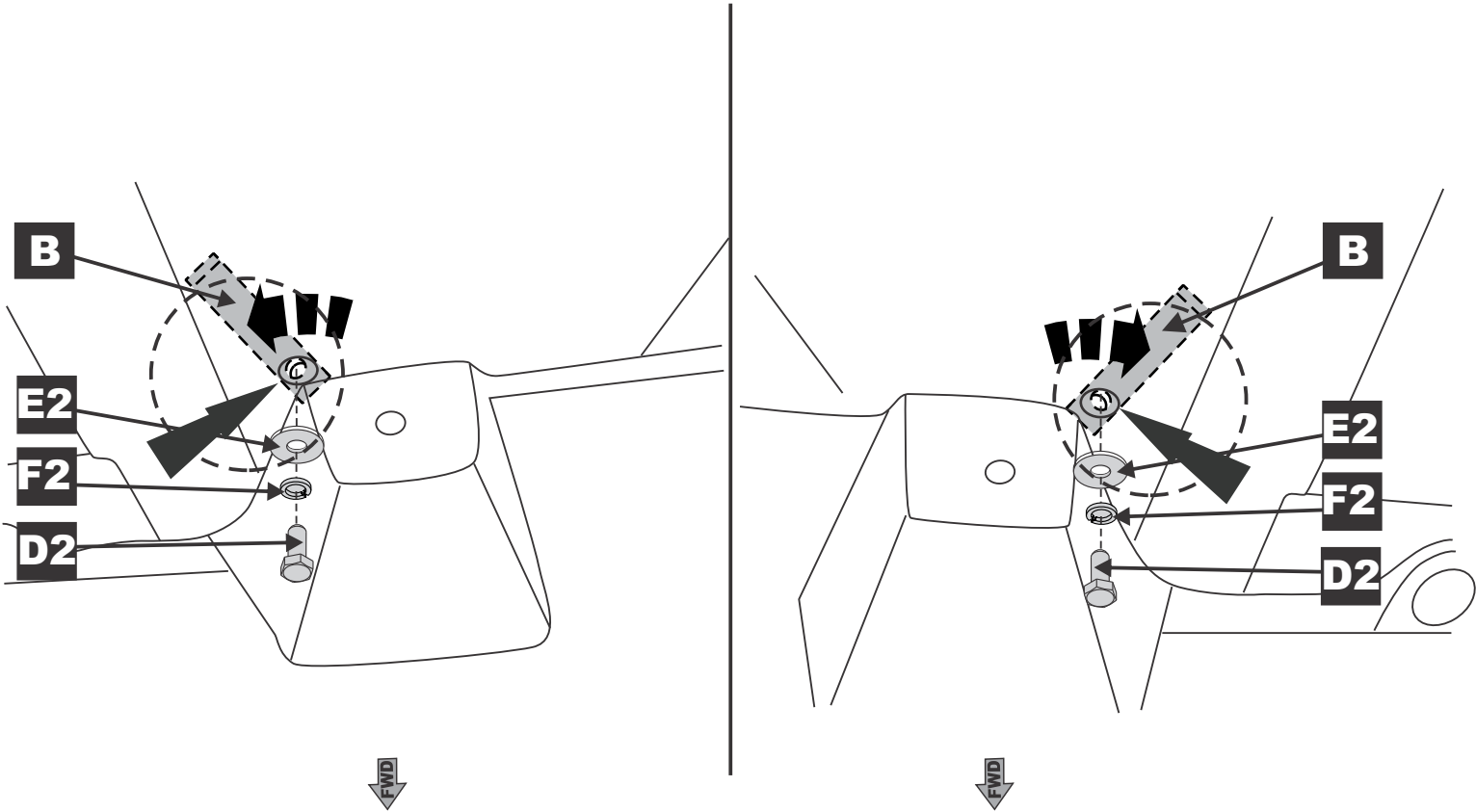
1



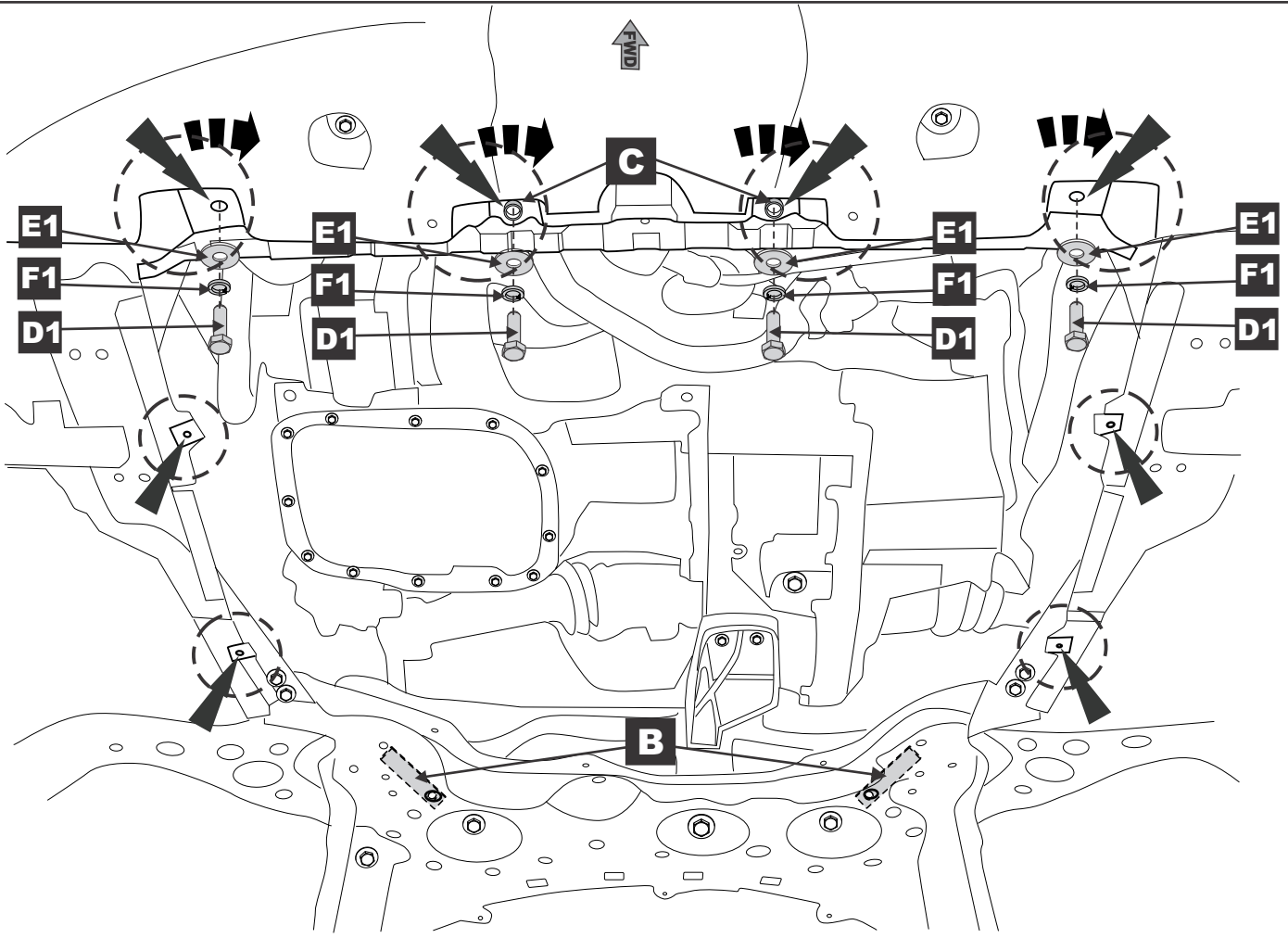
2



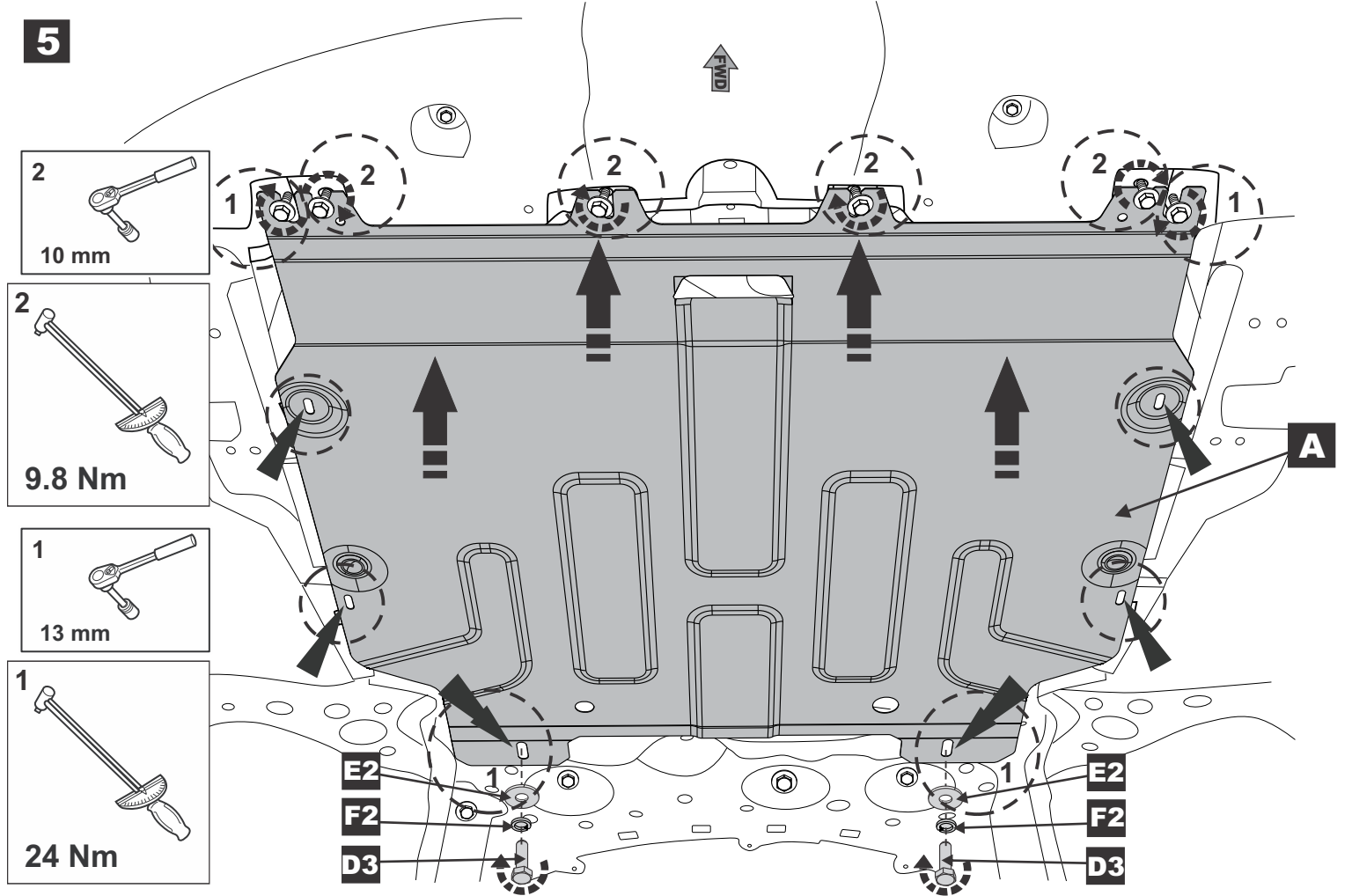
3



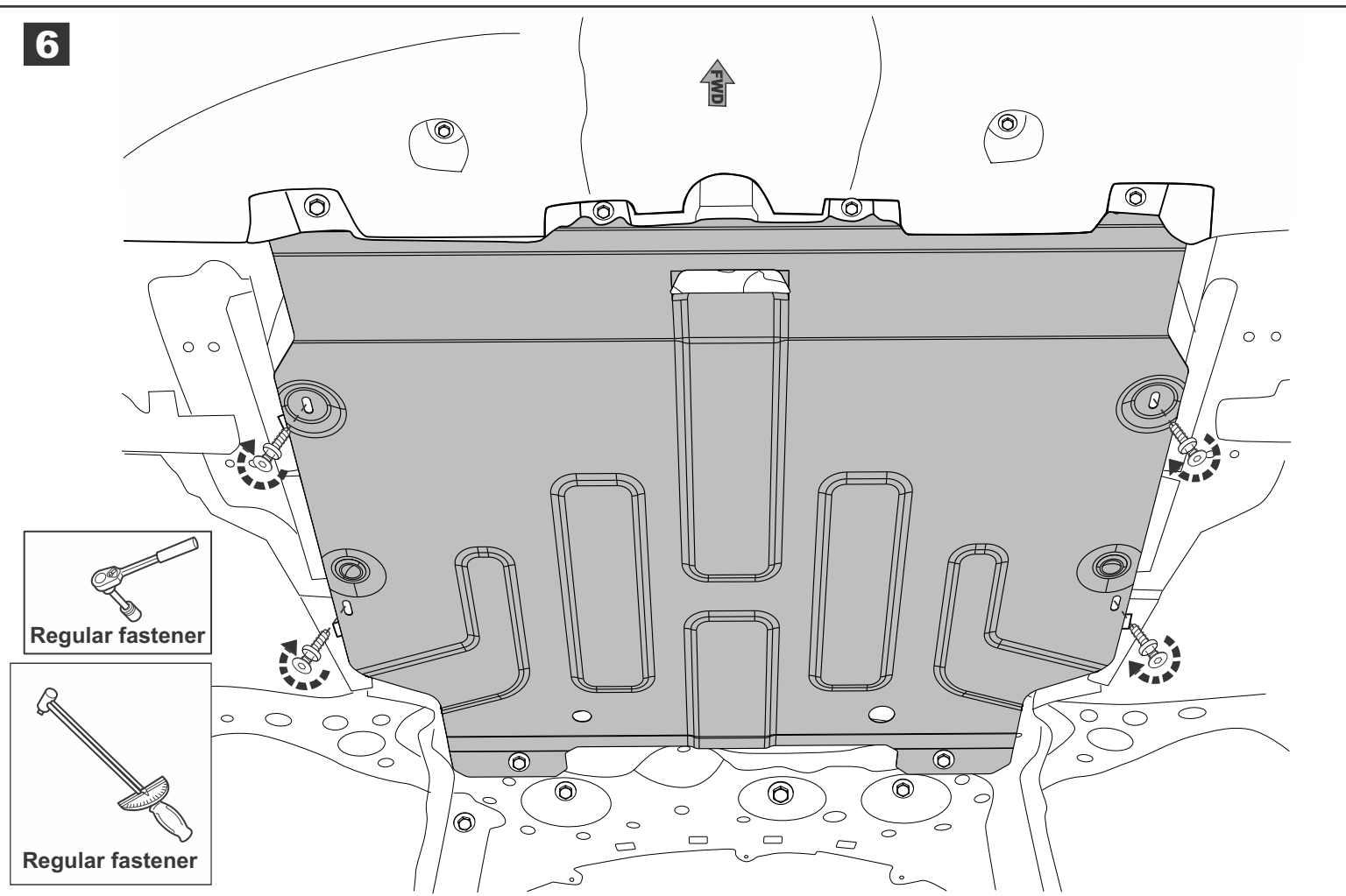
4



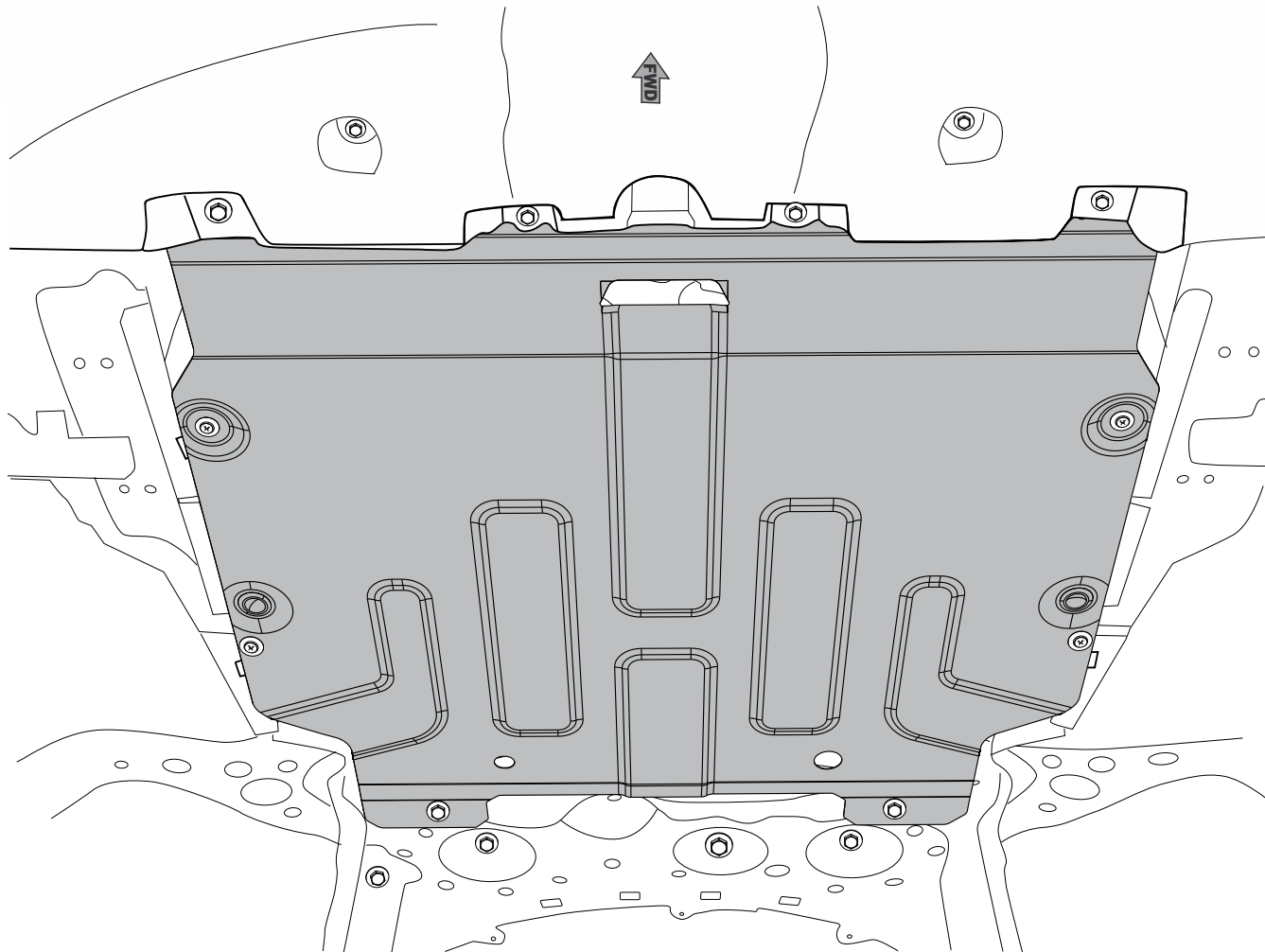
5



6



7



Part number:
PZ4AL-03009-00
PZ4AL-03010-00

Revision:
3

Date:
29.08.18

C-HR 2018
LEXUS UX 2018

Page:
6/6